

90cm black canopy rangehood with powerful 800 m³/hr extraction rate, LED lighting, push button controls and dishwasher safe mesh filters.

RRP AUS \$659.00



Product Details

FEATURES

800 m3/hr extraction rate

Long lasting LED lighting

3 fan speed options

Dishwasher Safe mesh filters

Push button controls

Black finish

BENEFITS

Banish kitchen smoke and odours

Keep your kitchen free from smoke and cooking odours with Chefs high extraction rate.

Low energy and long lasting LED lighting

A rangehood that lights up so you can cook with ease. Cook and see your meal clearly with our bright LED lighting that is both low energy and long lasting.

Dishwasher safe filters. Easy

The easy to remove rangehood filters can be washed safely in the dishwasher for a mess-free clean up.

Control with ease

The user friendly and fuss free controls offer a simpler cooking experience.

Specifications

PRODUCT PROFILE

Domestic warranty details (yrs)	2
Type of Rangehood	wall mounted canopy
Design family (eline)	Chef
Nominal width	900
Finish of Rangehood	black

DIMENSIONS

Total product height (mm)	1180
Total product width (mm)	900
Total product depth (mm)	500

MOTOR/FAN

Number of fans	1
Number of fans speeds	3
Variable speed control	Yes
Type of motor	centrifugal
Maximum airflow M3/Hr	800
Noise level dB high	69
Noise level dB low	49
Number of motors	1
Wattage of motor	330

POWER

Connection plug	10
-----------------	----

DIMENSIONS

Diameter of ducting (mm)	150
Minimum installation height from cooking surface Gas (mm)	650
Minimum installation height from cooking surface Electric (mm)	600
Maximum canopy chimney height (mm)	1180
Flue cover depth (mm)	290
Flue cover width (mm)	320

CONTROLS

Control panel	push button
Safety/ display indicators	auto thermal cutout safety switch

LIGHTS

Number of lights	2
------------------	---

FILTERS

Number of filters	3
Type of filter	multilayer aluminum micromesh filters
Dishwasher safe	Yes

DUCTING / RECIRCULATION

Ducting	optional accessory
---------	--------------------

LIGHTS

Wattage of light	3.5
------------------	-----

Type of light	LED
---------------	-----

DUCTING / RECIRCULATION

Top or rear duct hole	top
-----------------------	-----

Recirculation option	Yes
----------------------	-----

Recirculation kit	optional accessory
-------------------	--------------------

SHIPPING

Product Weight (Kg)	19.96
---------------------	-------

Pack Dimensions Height (mm)	590
-----------------------------	-----

Pack Dimension Width (mm)	980
---------------------------	-----

Pack Dimension Depth (mm)	370
---------------------------	-----

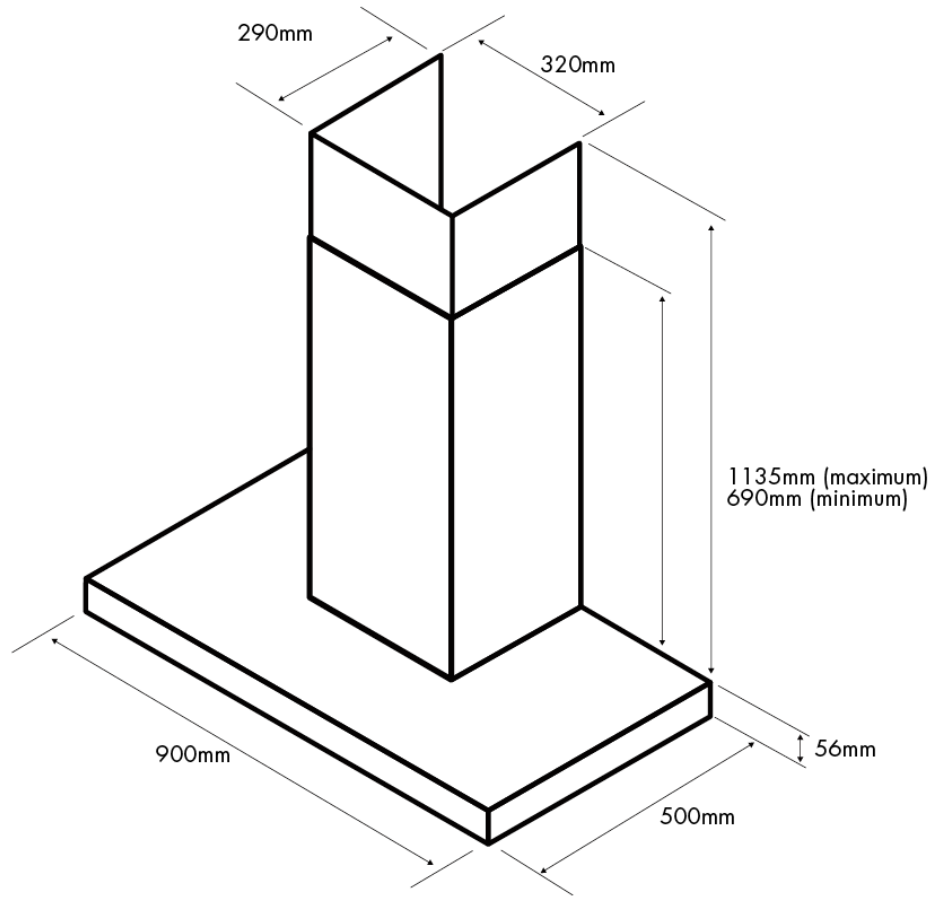
STUFFING QUANTITIES

20ft	134
------	-----

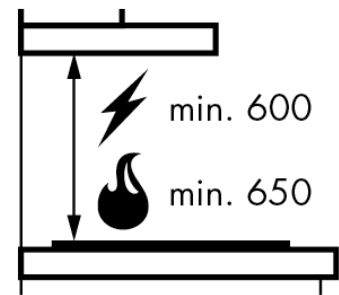
40ft	279
------	-----

40ft HC	326
---------	-----

Dimensions



IMPORTANT These dimensions are a guide only. All measurements are in millimetres (mm). For complete installation instructions, refer to the manual provided with product.



Terms and Conditions

IMPORTANT

This is a guide of product dimensions only. For complete installation instructions, refer to the manual provided with product.

PRODUCT INFORMATION

The descriptors and illustrations in this publication apply to the specific products and models described as at the date of issue. Under our policy of continuous product development, product specifications may change without notice. Prospective purchasers should therefore check with their retailer to ensure this publication correctly describes the products that are being offered for sale. All information supplied is to be used for general reference purposes only and is on the understanding that Electrolux Home Products Pty Ltd (Australia) and Electrolux (NZ) Ltd (New Zealand) will not be liable for any loss, liability or damage of whatever kind arising as a result of reliance on such information. Colours of products illustrated are as close as printing limitations allow. Electrolux will at all times comply with its obligations pursuant to law including Trade Practices (Australian Consumer Law) Act and Regulations.

WARRANTY

This warranty only applies to Appliances purchased and used in Australia or New Zealand and used in normal domestic applications and is in addition to (and does not exclude, restrict, or modify in any way) any non-excludable statutory warranties in Australia or New Zealand. All warranties are subject to the conditions set out in the warranty card accompanying the product when purchased.

ELECTROLUX HOME PRODUCTS AUSTRALIA

telephone: 1300 363 640

fax: 1800 350 067

email: customercare@electrolux.com.au

web: www.electrolux.com.au

ELECTROLUX HOME PRODUCTS NEW ZEALAND

telephone: 09 573 2230

fax: 09 573 2221

email: customercare@electrolux.co.nz

web: www.electrolux.co.nz